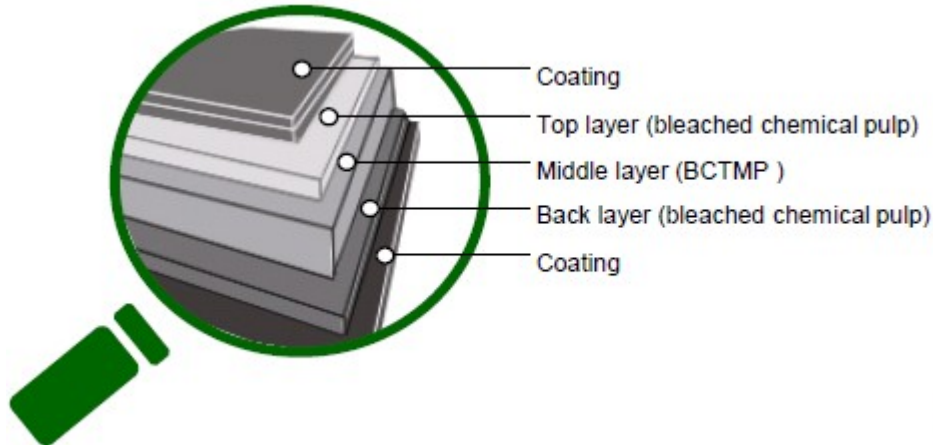


# ZettaLux, GC1

Origin: Asia Symbol



Issued on: 07.2020

Valid till: 07.2021

Property	Unit	Tolerance	Value										Standard
			215	225	235	250	270	295	310	325	350	380	
Grammage	g/m <sup>2</sup>	±3%	215	225	235	250	270	295	310	325	350	380	ISO536
Thickness	µm	±4%	305	330	355	380	420	460	485	510	560	610	ISO534
Moisture	%	±1.0	7.0	7.0	7.0	7.0	7.0	7.0	7.5	7.5	7.5	8.0	ISO287
Stiffness Taber 15° MD	mN.m	-15%	8.5	10.5	11.5	14.5	17.5	24.0	26.0	31.0	39.0	49.0	ISO2493
Stiffness Taber 15° CD	mN.m	-15%	4.8	5.5	6.2	7.5	9.0	12.0	13.0	15.5	19.5	24.5	ISO2493
Top Cobb (60s)	g/m <sup>2</sup>	≤	40	40	40	40	40	40	40	40	40	40	ISO535
Back Cobb (60s)	g/m <sup>2</sup>	≤	60	60	60	60	60	60	60	60	60	60	ISO535
Top Brightness	%	±3	91	91	91	91	91	91	91	91	91	91	ISO2470
Gloss75°	%	±10	55	55	55	55	55	55	55	55	55	55	ISO8254
Surface Roughness PPS10	µm	Max1.0	0.7	0.7	0.7	0.7	0.7	0.7	0.7	0.7	0.7	0.7	ISO8791
Surface Strength	m/s	≥	1.2	1.2	1.2	1.2	1.2	1.2	1.2	1.2	1.2	1.2	ISO3783
Scott Bond	J/m <sup>2</sup>	Min120	180	180	180	180	180	180	180	180	180	180	TAPPI T569

Test climate 23°C/50% RH (According to ISO 187).

In order to verify, reel/pallet average shall be based on 5 single measurements randomly sampled within the reel/pallet.

These averages will be for at least 19 of 20 reels/pallets within the specification limits.

This product is OBA free.

#### Mill Certificates System/ Certificates No.

ISO9001 Quality Management System Certification, 00219Q20247R3M

ISO14001 Environmental Management System Certification, 00219E30138R3M

OHSAS18001 Occupational Health and Safety Management System Certification, 00219S10110R3M

QS License for Food Packaging Paperboard Production, XK16-205-00510