



«ООО БИТ»
КАРТОН И БУМАГА

197343, г.Санкт-Петербург, ул. Матроса Железняка, д.57, лит.А
+7 (812) 468-33-33 bit925@mail.ru

109052, г.Москва, ул.Смирновская, дом 19.
+7 (495) 789-80-34 bit968@mail.ru
<https://bit-karton.ru>

ZettaLux GC1

Производитель:

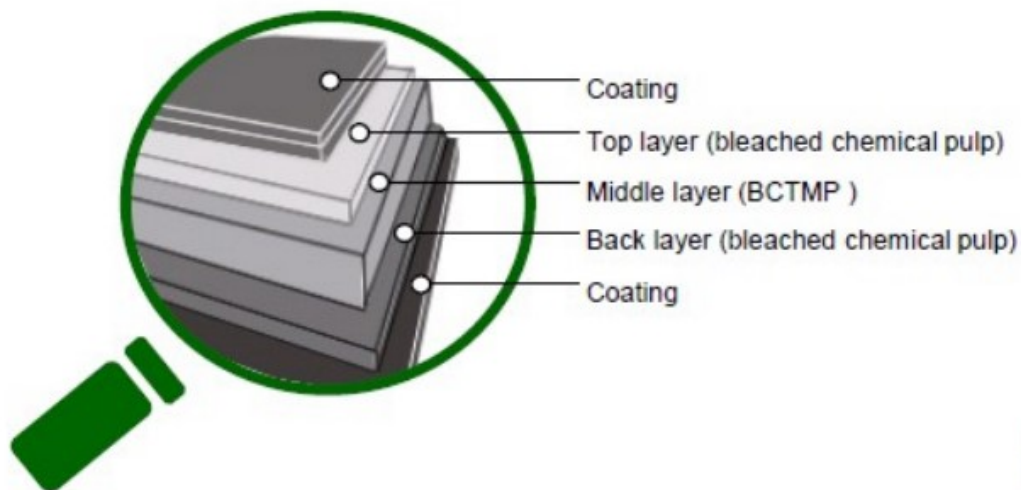
Asia Symbol



ASIA
SYMBOL

[ZettaLux, GC1](#)

Origin: Asia Symbol



Issued on: 07.2020

Valid till: 07.2021

| Property | Unit | Tolerance | Value | | | | | | | | | | Standard |
|-------------------------|------------------|-----------|-------|------|------|------|------|------|------|------|------|------|------------|
| Grammage | g/m ² | ±3% | 215 | 225 | 235 | 250 | 270 | 295 | 310 | 325 | 350 | 380 | ISO536 |
| Thickness | µm | ±4% | 305 | 330 | 355 | 380 | 420 | 460 | 485 | 510 | 560 | 610 | ISO534 |
| Moisture | % | ±1.0 | 7.0 | 7.0 | 7.0 | 7.0 | 7.0 | 7.0 | 7.5 | 7.5 | 7.5 | 8.0 | ISO287 |
| Stiffness Taber 15° MD | mN.m | -15% | 8.5 | 10.5 | 11.5 | 14.5 | 17.5 | 24.0 | 26.0 | 31.0 | 39.0 | 49.0 | ISO2493 |
| Stiffness Taber 15° CD | mN.m | -15% | 4.8 | 5.5 | 6.2 | 7.5 | 9.0 | 12.0 | 13.0 | 15.5 | 19.5 | 24.5 | ISO2493 |
| Top Cobb (60s) | g/m ² | ≤ | 40 | 40 | 40 | 40 | 40 | 40 | 40 | 40 | 40 | 40 | ISO535 |
| Back Cobb (60s) | g/m ² | ≤ | 60 | 60 | 60 | 60 | 60 | 60 | 60 | 60 | 60 | 60 | ISO535 |
| Top Brightness | % | ±3 | 91 | 91 | 91 | 91 | 91 | 91 | 91 | 91 | 91 | 91 | ISO2470 |
| Gloss75° | % | ±10 | 55 | 55 | 55 | 55 | 55 | 55 | 55 | 55 | 55 | 55 | ISO8254 |
| Surface Roughness PPS10 | µm | Max1.0 | 0.7 | 0.7 | 0.7 | 0.7 | 0.7 | 0.7 | 0.7 | 0.7 | 0.7 | 0.7 | ISO8791 |
| Surface Strength | m/s | ≥ | 1.2 | 1.2 | 1.2 | 1.2 | 1.2 | 1.2 | 1.2 | 1.2 | 1.2 | 1.2 | ISO3783 |
| Scott Bond | J/m ² | Min120 | 180 | 180 | 180 | 180 | 180 | 180 | 180 | 180 | 180 | 180 | TAPPI T569 |

<https://bit-karton.ru/product/karton/czellyuloznyj/zettal-ux-gc1/>